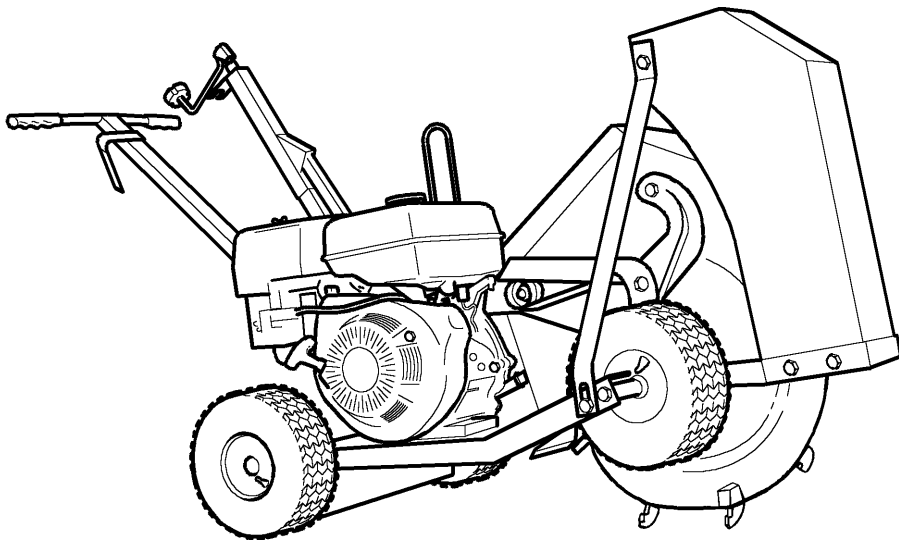


E-Z TRENCH®

EZ-9000

GRINDSAW™



Owners Manual

E-Z Trench Manufacturing Co., Inc.

2315 S. Hwy. 701 • Loris, S.C. 29569

(843) 756-6444

Fax (843) 756-6442

www.eztrench.com

A WORD TO E-Z TRENCH OWNERS . . .

THIS MANUAL HAS BEEN PREPARED TO ACQUAINT YOU WITH THE ASSEMBLY, OPERATION AND MAINTENANCE OF YOUR E-Z TRENCH TRENCHING MACHINE, AND TO PROVIDE SAFETY INFORMATION. WE URGE YOU TO READ IT CAREFULLY AND FOLLOW THE RECOMMENDATIONS CONTAINED TO HELP ASSURE THE MOST TROUBLE-FREE OPERATION.

WE WOULD LIKE TO TAKE THIS OPPORTUNITY TO THANK YOU FOR CHOOSING E-Z TRENCH, AND TO ASSURE YOU OF OUR CONTINUING INTEREST IN YOUR NEEDS.

INDEX

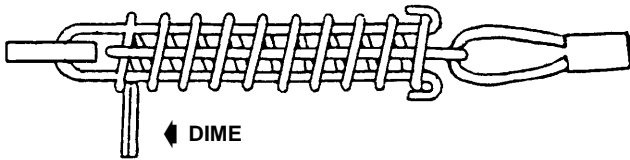
1. A WORD TO E-Z TRENCH OWNERS & SAFETY PRECAUTIONS
2. OPERATING INSTRUCTIONS.
3. MAINTENANCE SCHEDULE
- 4-5. PARTS DRAWING / PARTS LIST
6. TERMS AND WARRANTY
7. WARRANTY REGISTRATION
8. TROUBLE SHOOTING & BOLT SIZES.

WARNINGS! & SAFETY PRECAUTIONS

1. ALWAYS WEAR EYE PROTECTION.
2. STAY CLEAR FROM CUTTING BLADES.
3. KEEP HANDS AND FEET CLEAR OF PULLEYS AND BELTS WHEN ENGINE IS RUNNING.
4. WHERE TRENCHER WILL BE USED, LOCATE ALL UNDERGROUND POWER LINES, GAS LINES, AND WATER LINES.
5. ENGINE R.P.M. SHOULD REMAIN AT 3600 R.P.M.

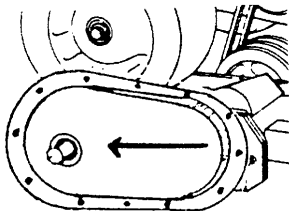
EZ9000 OPERATING INSTRUCTIONS

1. FILL CRANKCASE WITH OIL. (SEE PAGE 3 MAINTENANCE SCHEDULE. FOLLOW INSTRUCTIONS OF ENGINE MANUFACTURER.
2. START ENGINE.
3. ENGAGE BELT DRIVE UNIT WITH HAND LEVER (EZ15) TO ROTATE DIGGING BLADE.
4. SLOWLY LOWER THE BLADE BY TURNING DEPTH ADJUST CRANK (8012) UNTIL DESIRED DEPTH IS REACHED.
5. PULL THE MACHINE BACKWARD. BEGIN TRENCHING SLOWLY UNTIL FAMILIAR WITH THE MACHINE AND SOIL CONDITIONS.
6. TO PREVENT CLOGGING, KEEP INSIDE OF HOUSING CLEAN.
7. NOTE: PROPER BELT TENSION, 1/8" OR WHEN A DIME WILL FIT SNUGLY BETWEEN COIL SPRING. CAUTION: DO NOT OVER TIGHTEN BELT. (See Illustration).



ADJUST BELT TENSION WITH (8180) QUICK ADJ. ASSY.

8. **AFTER MACHINE HAS RUN APPROXIMATELY ONE HOUR: RE-ADJUST CHAIN IN GEAR BOX BY SLIDING GEAR BOX DOWN. THIS IS DONE BY LOOSENING THE THREE BOLTS AND PULLING THE GEAR BOX DOWN, AND TIGHTEN BOLTS.**



EZ9000 GROUNDSAW™ MAINTENANCE SCHEDULE

Perform at every indicated month or operating hour interval, whichever comes first.	Every Use	First month or 20 Hrs.	Every 3 months or 50 Hrs.	Every 6 months or 100 Hrs.
Check blade and bits*	○			
Check engine oil & air filter	○			
Lubricate pivot points after washing	○			
Snug castle nut on top of jack		○		○
Tighten any loose bolts		○		
Change engine oil**		○	○	
Tighten chain in gearbox (pg 2)			○	
Check air pressure of tires			○	
Clean air filter or replace			○	

*Replace carbide bits before carbide tips are completely worn.

See tips below on proper bit installation.

**Break in engine with petroleum based oil, then switch to E-Z Trench™ specially formulated synthetic.

MAINTENANCE TIPS

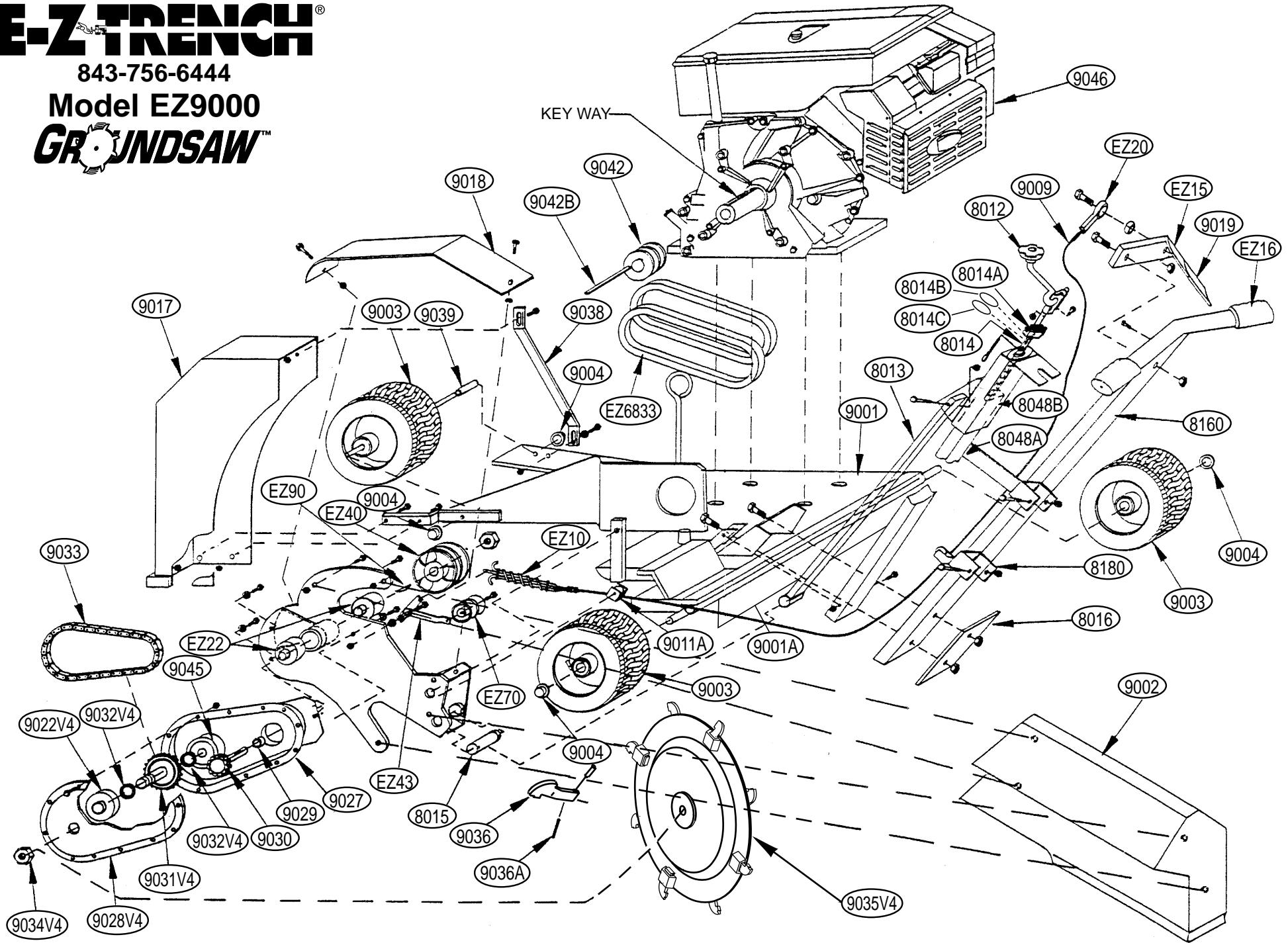
1. DO NOT OVERTIGHTEN NUT ON BACKSIDE OF LARGE PULLEY (EZ40). IT ONLY NEEDS TO BE SNUG.
2. KEEP CASTLE NUT ON TOP OF JACK SNUG.
3. TO REPLACE BITS:
 - A. INSERT 2 STRAIGHT BITS DIRECTLY ACROSS FROM EACH OTHER.
 - B. NEXT, INSERT THE LEFT AND RIGHT BITS BY PLACING THEM IN THE SLOT THAT BENDS IN THE SAME DIRECTION AS THE BIT. (REMEMBER THAT THE CARBIDE SHOULD FACE LEFT WHEN YOU ARE FACING THE MACHINE FROM THE BLADE SIDE.)

E-Z TRENCH®

843-756-6444

Model EZ9000

GRINDSAW™



Model EZ9000 PARTS LIST

Part#	Description
#EZ10	Spring (Belt Tension)
#EZ15	Lever Handle
#EZ16	Handle Grips
#EZ20	Ball Assembly
#EZ22	Bearing
#EZ40	6" Pulley
#EZ43	Belt Idler
#EZ70	2 1/2" Idler Pulley
#EZ90	(Half Moon Key) Woodruff
#EZ6833	1/2" x 33" Powerated Belt
#8012	Depth Control Lever
#8013	Depth Linkage Rod
#8014	Depth Control
#8014A	Castle Nut
#8014B	Brass Bushing
#8014C	Jack Shim
#8015	Linkage Pin
#8016	Spacer Plate
#8048	Complete Jack
#8048A	Jack Bottom
#8048B	Jack Top
#8160	Handle
#8180	Quick Belt Adj. Assy.
#9001	Frame
#9001A	Soil Skirt
#9002	Hood
#9003	Wheel
#9004	Push Cap
#9009	Cable Only
#9017	Blade Guard
#9018	Belt Guard
#9019	Handle Cover
#9022V4	1" Sealed Bearing
#9027	Inside Half Gear Box
#9028V4	Outside Half Gear Box
#9029	Spacer Bushing
#9030	11 Tooth Sprocket
#9031V4	29 Tooth Sprocket
#9032V4	Washer
#9033	Chain
#9034V4	Nut (Blade)
#9035V4	Blade without Bits
#9036R	Right Carbide Bit (blade requires 3)
#9036L	Left Carbide Bit (blade requires 3)
#9036ST	Straight Carbide Bit (blade requires 2)
#9036A	Tension Pin (blade requires 8)
#9038	Hood Brace
#9039	Front Axle
#9042	2 1/2" Engine Pulley
#9042B	Key
#9045	Bearing
#9046	Engine

TERMS AND CONDITIONS OF SALE

USE:

E-Z TRENCHER IS DESIGNED TO TRENCH IN SOIL ONLY. ANY OTHER USE IS AT THE RISK OF THE OWNER.

PRICES:

Prices are subject to change without notice and will be invoiced at prices in effect on date of order.

CHANGES:

E-Z TRENCH MANUFACTURING, Inc. reserves the right to discontinue items, change specification, design, or prices at any time, without notice and without incurring any obligation whatsoever.

FREIGHT POLICY:

All orders are F.O.B., Loris, South Carolina, USA. Title to goods and risk of loss passed in Loris, South Carolina.

DAMAGED OR LOST SHIPMENTS:

All shipments must be carefully inspected. In case of damaged or loss, accept the shipment, but have carrier note damages or loss on delivery receipt. If it is concealed damage, call carrier for inspection. Make claim for damage with carrier.

LIMITED WARRANTY:

The E-Z Trencher is warranted against defects in workmanship or materials for a period of one year. Blades, bits, belts and bearings, which are normal wear items, are not warranted. This warranty covers replacement of parts only, no consequential damages are covered. In the event of a warranty claim contact E-Z Trench Manufacturing Company, Inc. This warranty does not include products which have been subject to improper use, or application, or misuse, neglect or accident; nor does it attend to products which have been repaired or altered by other than E-Z Trench Manufacturing Company, Inc. All warranty repairs are F.O.B., Loris, S.C, U.S.A. E-Z Trench Manufacturing Company, Inc. will not be responsible for any transportation charges.

THERE IS NO OTHER EXPRESS WARRANTY. TO THE EXTENT PERMITTED BY LAW ALL IMPLIED WARRANTIES INCLUDED THOSE OF MERCHANTABILITY AND FITNESS FOR A PARTICULAR PURPOSE ARE EXCLUDED. LIABILITY FOR CONSEQUENTIAL DAMAGES UNDER ANY AND ALL WARRANTIES ARE EXCLUDED TO THE EXTENT THAT EXCLUSION IS PERMITTED BY LAW. Some states do not allow limitation on how long an implied warranty lasts, and some

states do not allow the exclusion or limitation or incidental or consequential damages, so the above limitation and exclusion may not apply to you. This warranty gives you specific legal rights and you may also have other rights which may vary from state to state.

E-Z Trench Manufacturing Company, Inc. does not warrant the engine but the purchaser must look to the engine manufacturer for the warranty of the engine.

NORMAL WEAR:

Warranty will not cover repair where normal use has exhausted the life of a part. Trenchers, like all mechanical devices, need periodic parts replacement and service to perform well. It should be remembered that the service life of any trencher is dependent on the care it receives and the conditions under which it has to operate. Trenchers operate in harsh conditions, which can cause what appears to be premature wear. Such wear, when caused by rocks or other abrasive material, is not covered by warranty.

E-Z TRENCH WARRANTY DOES NOT COVER THE FOLLOWING:

1. Bent or broken parts; Such damage is normally the result of abuse, such as striking a solid object with the cutting blade.
2. Broken parts, which results from excessive vibration caused by loose engine mounting, loose cutting blades, unbalanced blades, improperly attaching equipment to trencher, overspeeding or abuse in operation.
3. Misuse, neglect, improper operation, damage or abuse.
4. Alteration or removal of name plates or serial numbers.
5. Modification or change of this product outside the factory.

STANDARD TERMS:

1. C.O.D./F.O.B., Loris, SC, USA
2. Cash, money order, certified check, or wire transfer with order.
3. 30 day with approved credit.

All sales are final with no right to return, price protection or implied consignment. No person, including agent, representative, or employee of E-Z TRENCH MANUFACTURING, Inc. is authorized to assume for E-Z TRENCH MANUFACTURING, Inc. any obligation or liability concerning terms or conditions of sale other than that expressly stated herein.

EFFECTIVE MARCH 1, 1985

TROUBLE SHOOTING

PROBLEM

SOLUTION

- | | |
|----------------------------------|--|
| IRREGULAR OR EXCESSIVE BELT WEAR | <ol style="list-style-type: none"> 1. CHECK FOR PULLEY MISALIGNMENT. 2. USE OF OTHER THAN FACTORY POWER-RATED BELTS. 3. RATE OF DIG IS TOO FAST FOR SOIL CONDITION. |
| EXCESSIVE VIBRATION | <ol style="list-style-type: none"> 1. LOOSE, BENT, OR BROKEN BLADE OR BIT. 2. LOOSE ENGINE MOUNT BOLTS. 3. ENGINE R.P.M. SHOULD BE 3600 R.P.M. |
| HOUSING CLOGGING WITH DIRT | <ol style="list-style-type: none"> 1. SOIL IS TOO WET. 2. FOREIGN OBJECT IN HOUSING. |
| BENT OR BROKEN DIGGING BLADE | <ol style="list-style-type: none"> 1. STRIKING HARD OBJECTS, SUCH AS BRICKS, LARGE ROCKS, AND STEEL OBJECTS. |

BOLT SIZES FOR EZ9000 GROUNDSAW™

<u>PART #</u>	<u>QTY.</u>	<u>SIZE</u>	<u>ATTACHES PART...</u>
516134	2	5/16 x 1 3/4	9006 to frame
516134	1	5/16 x 1 3/4	EZ15 to 9006
51634	1	5/16 x 3/4	EZ20 to EZ15
14234	1	1/4 x 2 3/4	8180
14234	1	1/4 x 2 3/4	8048A
382	1	3/8 x 2	8048B to 8013
38214	1	3/8 x 2 1/4	8048A to 9001
516134	4	5/16 x 1 3/4	engine bolts
38134	1	3/8 x 1 3/4	EZ43
38112	1	3/8 x 1 1/2	EZ70 to EZ43
51612C	2	5/16 x 1/2	9018
51634	6	5/16 x 3/4	9002
51634	1	5/16 x 3/4	9038 to frame
5161	3	5/16 x 1	9017 to frame & 9038
1458	12	1/4 x 5/8	9027 and 9028V4
3858G8	3	3/8 x 5/8	transfer case to carriage
14114	1	1/4 x 1 1/4	8012 to 8014
14516ss	2	1/4 x 5/16	set screws for large pulley
51638ss	2	5/16 x 3/8	set screws for engine pulley