

E-Z TRENCH[®]

OUR NAME SAYS IT ALL



Owners Manual

E-Z Trench Manufacturing Co., Inc.

2315 S. Hwy. 701 • Loris, S.C. 29569

(843) 756-6444

Fax (843) 756-6442

www.eztrench.com

WARNINGS! & SAFETY PRECAUTIONS

1. KEEP HANDS AND FEET CLEAR OF HIGH SPEED DIGGING BLADE.
2. NEVER MANUALLY ROTATE BLADE WHEN ENGINE IS IN "ON" POSITION.
3. ALWAYS WEAR EYE PROTECTION.
4. KEEP HANDS AND FEET CLEAR OF PULLEYS AND BELTS WHEN ENGINE IS RUNNING.
5. CLEAR TRENCHING PATH OF ANY DEBRIS OR TOOLS.
6. LOCATE ALL UNDERGROUND POWER, TELEPHONE, GAS AND WATER LINES BEFORE TRENCHING.
7. NEVER ATTEMPT TO USE THE MACHINE WITH THE GUARD/S REMOVED. BODILY HARM COULD OCCUR.
8. NEVER MODIFY ANY PART OF THE MACHINE TO USE FOR A PURPOSE OTHER THAN WHAT IT IS DESIGNED FOR.
9. DO NOT USE MACHINE FOR ANY PURPOSE OTHER THAN ITS INTENDED PURPOSE.

OPERATING INSTRUCTIONS

1. FILL GAS TANK WITH GAS PER ENGINE MANUAL. FOLLOW INSTRUCTIONS OF ENGINE MANUFACTURER.
2. CLEAR AREA OF ANY OBSTACLES. (TOOLS, DEBRIS, ROCKS, ETC..)
3. START ENGINE. PLACE SWITCH TO ON POSITION. FOLLOW INSTRUCTIONS OF ENGINE MANUFACTURER.
4. PRESS DOWN ON HANDLE BARS SLIGHTLY TO RAISE THE BLADES CLEAR OF THE GROUND.
5. SQUEEZE THROTTLE TRIGGER TO FULL THROTTLE. SLOWLY LOWER FRONT END DOWN AND BLADES INTO THE GROUND.
6. GENTLY PULL MACHINE TOWARDS YOU ALLOWING THE CARBIDE TIPPED BLADES TO TILL SOIL.
7. FOR MAXIMUM DEPTH HOLD TIRES OFF THE GROUND AND ALLOW BLADES TO DIG IN.
8. GENTLY PULL AND WALK THE MACHINE BACKWARDS.
9. WHEN YOU HAVE FINISHED OPERATING THE MACHINE RELEASE THROTTLE TRIGGER AND TURN ENGINE TO OFF POSITION.

TROUBLE SHOOTING

PROBLEM	SOLUTION
IRREGULAR OR EXCESSIVE BELT WEAR	<ol style="list-style-type: none">1. CHECK FOR PULLEY MISALIGNMENT.2. USE OF OTHER THAN FACTORY POWER-RATED BELTS.3. RATE OF DIG IS TOO FAST FOR SOIL CONDITION.
EXCESSIVE VIBRATION	<ol style="list-style-type: none">1. LOOSE, BENT, OR BROKEN BLADE OR BIT.2. LOOSE ENGINE MOUNT BOLTS.3. ENGINE R.P.M. SHOULD BE 3600 R.P.M.
HOUSING CLOGGING WITH DIRT	<ol style="list-style-type: none">1. SOIL IS TOO WET.2. FOREIGN OBJECT IN HOUSING.
BENT OR BROKEN DIGGING BLADE	<ol style="list-style-type: none">1. STRIKING HARD OBJECTS, SUCH AS BRICKS, LARGE ROCKS, AND STEEL OBJECTS.

MAINTENANCE SCHEDULE

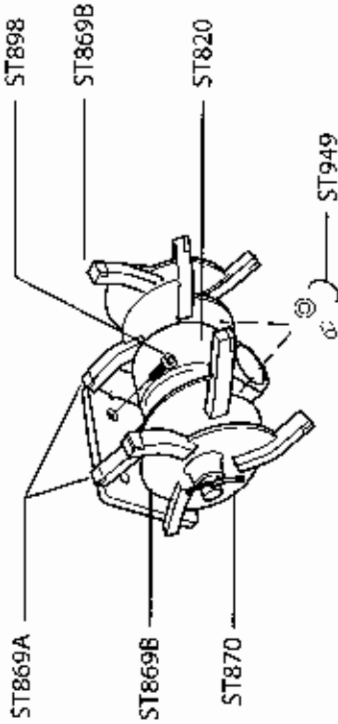
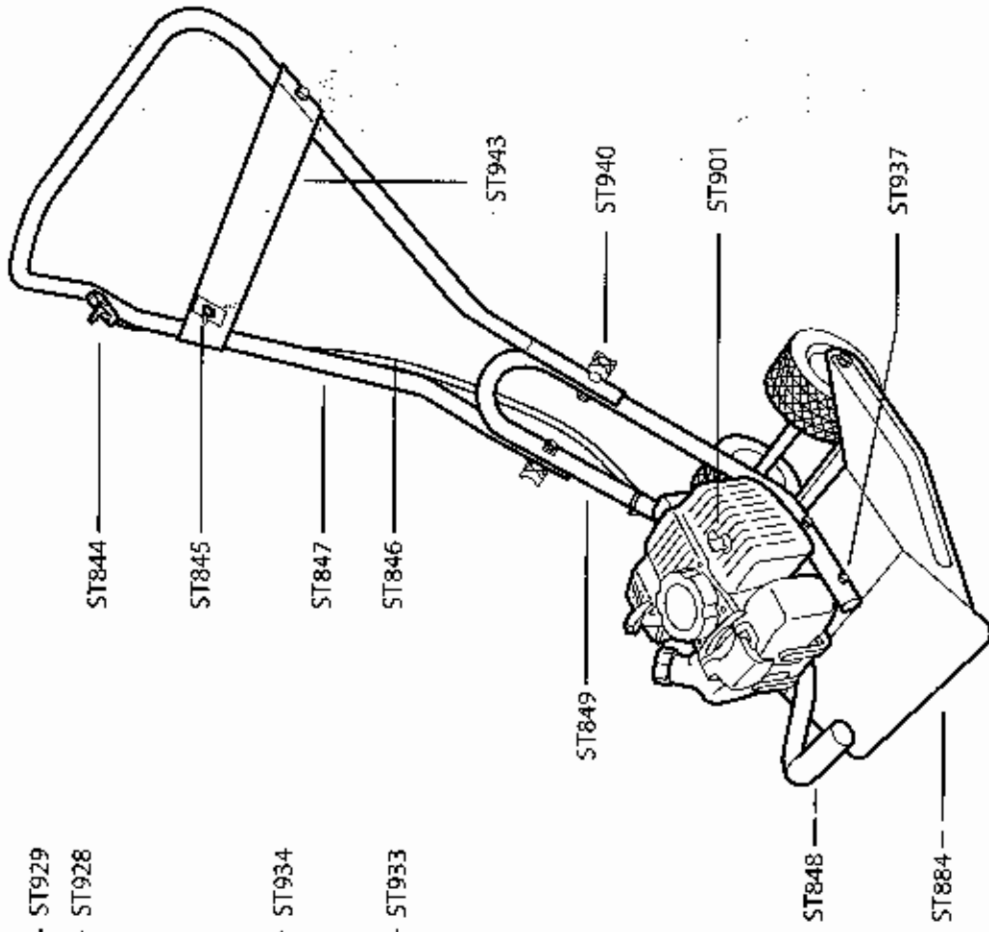
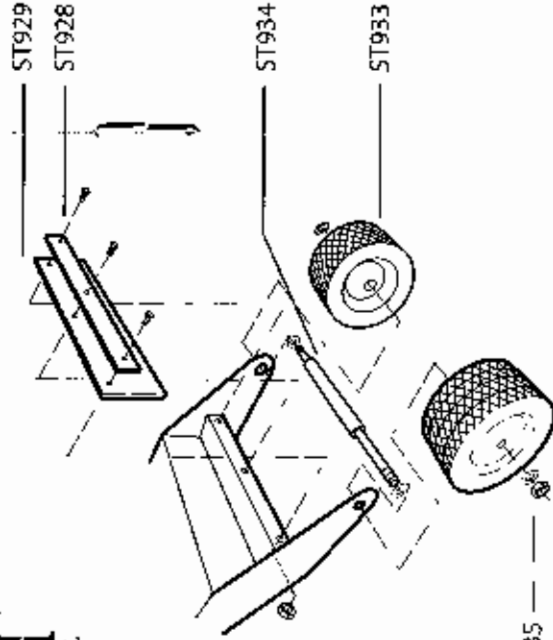
Perform at every indicated month or operating hour interval, whichever comes first.	Every Use	First month or 20 Hrs.	Every 3 months or 50 Hrs.	Every 6 months or 100 Hrs.
Check blade and bits	<input type="radio"/>			
Check engine oil & air filter	<input type="radio"/>			
Lubricate pivot points after washing	<input type="radio"/>			
Tighten any loose bolts		<input type="radio"/>		
Change engine oil		<input type="radio"/>	<input type="radio"/>	
Check air pressure of tires			<input type="radio"/>	<input type="radio"/>
Clean air filter or replace				<input type="radio"/>

E-Z TRENCH®

OUR NAME SAYS IT ALL

843-756-6444

SABRE TILLER™ PARTS LIST



PART #	DESCRIPTION
ST820	TILLER TRANSMISSION COMPLETE
ST844	THROTTLE TRIGGER
ST845	ON/OFF TOGGLE SWITCH
ST846	THROTTLE CABLE
ST847	UPPER HANDLE
ST848	LOWER GRIP
ST849	LOWER HANDLE
ST869A	TILLER TINE ASSEMBLY
ST869B	TILLER TINE ASSEMBLY
ST870	TINE MTG PIN
ST884	TILLER TINE SHIELD

PART #	DESCRIPTION
ST898	ENGINE MTG HARDWARE
ST901	EXHAUST DEFLECTOR
ST928	REAR GUARD RETAINER STRIP
ST929	REAR GUARD
ST933	TILLER WHEEL
ST934	AXLE FOR WHEEL 933
ST935	WHEEL MTG HARDWARE (NUT & WASHER)
ST937	"LOWER HANDLE MTG HARDWARE (BOLT, NUT & WASHER)"
ST940	UPPER HANDLE MTG HARDWARE (KNOB & WASHER)
ST943	UPPER HANDLE CONTROL PLATE
ST949	TINE/TMX SPACER & WASHER

TERMS AND CONDITIONS OF SALE

USE:

E-Z TRENCHER IS DESIGNED TO TRENCH IN SOIL ONLY. ANY OTHER USE IS AT THE RISK OF THE OWNER.

PRICES:

Prices are subject to change without notice and will be invoiced at prices in effect on date of order.

CHANGES:

E-Z TRENCH MANUFACTURING, Inc. reserves the right to discontinue items, change specification, design, or prices at any time, without notice and without incurring any obligation whatsoever.

FREIGHT POLICY:

All orders are F.O.B., Loris, South Carolina, USA. Title to goods and risk of loss passed in Loris, South Carolina.

DAMAGED OR LOST SHIPMENTS:

All shipments must be carefully inspected. In case of damaged or loss, accept the shipment, but have carrier note damages or loss on delivery receipt. If it is concealed damage, call carrier for inspection. Make claim for damage with carrier.

LIMITED WARRANTY:

The E-Z Trencher is warranted against defects in workmanship or materials for a period of one year. Blades, bits, belts and bearings, which are normal wear items, are not warranted. This warranty covers replacement of parts only, no consequential damages are covered. In the event of a warranty claim contact E-Z Trench Manufacturing Company, Inc. This warranty does not include products which have been subject to improper use, or application, or misuse, neglect or accident; nor does it attend to products which have been repaired or altered by other than E-Z Trench Manufacturing Company, Inc. All warranty repairs are F.O.B., Loris, S.C., U.S.A. E-Z Trench Manufacturing Company, Inc. will not be responsible for any transportation charges.

THERE IS NO OTHER EXPRESS WARRANTY TO THE EXTENT PERMITTED BY LAW. ALL IMPLIED WARRANTIES INCLUDED THOSE OF MERCHANTABILITY AND FITNESS FOR A PARTICULAR PURPOSE ARE EXCLUDED. LIABILITY FOR CONSEQUENTIAL DAMAGES UNDER ANY AND ALL WARRANTIES ARE EXCLUDED TO THE EXTENT THAT EXCLUSION IS PERMITTED BY LAW. Some states do not allow limitation on how long an implied warranty lasts, and some

TERMS AND CONDITIONS OF SALE CONTINUED

states do not allow the exclusion or limitation or incidental or consequential damages, so the above limitation and exclusion may not apply to you. This warranty gives you specific legal rights and you may also have other rights which may vary from state to state.

E-Z Trench Manufacturing Company, Inc. does not warrant the engine but the purchaser must look to engine manufacturer for the warranty of the engine.

NORMAL WEAR:

Warranty will not cover repair where normal use has exhausted the life of a part. Trenchers, like all mechanical devices, need periodic parts replacement and service to perform well. It should be remembered that the service life of any trencher is dependent on the care it receives and the conditions under which it has to operate. Trenchers operate in harsh conditions, which can cause what appears to be premature wear. Such wear, when caused by rocks or other abrasive material, is not covered by warranty.

E-Z TRENCH WARRANTY DOES NOT COVER ABUSE OR NEGLIGENCE:

1. Bent or broken parts; Such damage is normally the result of abuse, such as striking a solid object with the cutting blade.
2. Broken parts, which results from excessive vibration caused by loose engine mounting, loose cutting blades, unbalanced blades, improperly attaching equipment to trencher, overspeeding or abuse in operation.
3. Misuse, neglect, improper operation, damage or abuse.
4. Alteration or removal of name plates or serial numbers.
5. Modification or change of this product outside the factory.

STANDARD TERMS:

1. C.O.D./F.O.B., Loris, SC, USA
2. Cash, money order, certified check, or wire transfer with order.
3. 30 day with approved credit.

All sales are final with no right to return, price protection or implied consignment. No person, including agent, representative, or employee of E-Z TRENCH MANUFACTURING, Inc. is authorized to assume for E-Z TRENCH MANUFACTURING, Inc. any obligation or liability concerning terms or conditions of sale other than that expressly stated herein.
EFFECTIVE MARCH 1, 1985