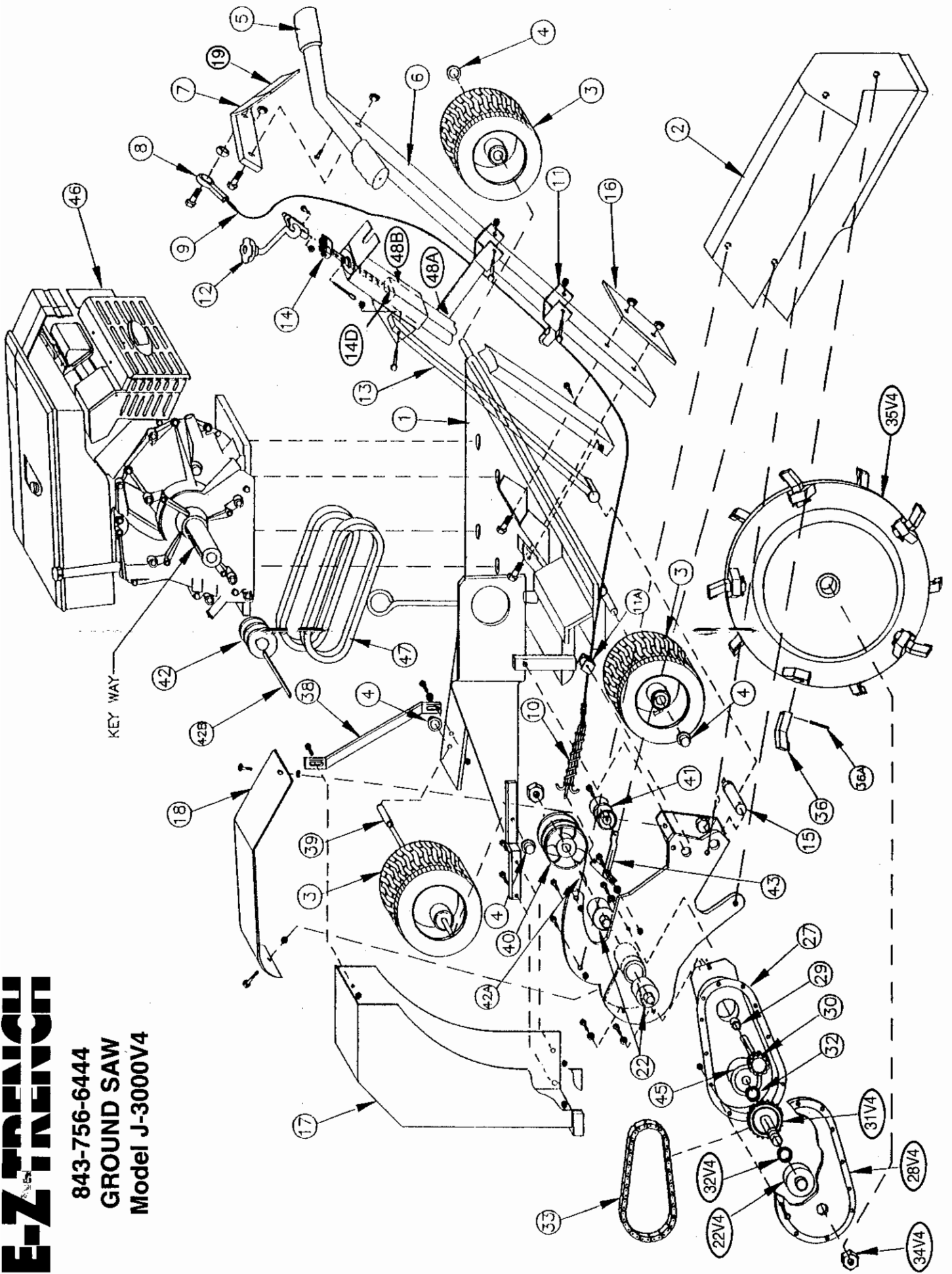


# E-Z-FRENCH

843-756-6444  
GROUND SAW  
Model J-3000V4



**Model J-3000V4  
PARTS LIST**

V4 = 1" shaft/parts

Part#	Description
# 1	Frame
# 2	Hood
# 3	Wheel
# 4	Push Cap
# 5	Handle Grips
# 6	Handle
# 7	Lever Handle
# 8	Bail Assembly
# 9	Cable Only
# 10	Spring (Belt Tension)
# 11	Quick Belt Adj. Assy.
# 12	Depth Control Lever
# 13	Depth Linkage Rod
# 14	Depth Control
# 14D	Acme Nut
# 15	Linkage Pin
# 16	1/4" x 2" x 15" Spacer Plate
# 17	Blade Guard
# 18	Belt Guard
# 19	Handle Cover
# 22	Bearing
# 22V4	22V4 Bearing
# 27	Gear Box
# 28V4	Outside Half Gear Box
# 29	Spacer Bushing
# 30	11 Tooth Sprocket
# 31V4	22 Tooth Sprocket
# 32V4	Washer
# 33	Chain
# 34V4	Nut (Blade)
# 35V4	Round Blade WITHOUT BITS/TEETH
# 36	Carbide Bit
# 36A	Roll Pin
# 38	Hood Brace
# 39	Front Axle
# 40	Large Pulley
# 41	V-Idler
# 42	Engine Pulley
# 42A	(Half Moon Key) Woodruff
# 42B	Key
# 43	Idler Bracket
# 45	Bearing
# 46	Engine
# 47	Belts = 1/2" x 34"
# 48	Jack Assy.
# 48A	Bottom
# 48B	Top

OLD STYLE BLADE HAS 10 "TEETH"

4 LEFT = 3036 L

4 RIGHT = 3036 R

2 STRAIGHT = 3036 ST

COMPLETE SET (including pins)  
= 3036 C

NEW STYLE BLADE HAS 8 "TEETH"

3 LEFT = 9036 L

3 RIGHT = 9036 R

2 STRAIGHT = 9036 ST

COMPLETE SET (including pins)  
= 9036 C

NEW STYLE BLADE WITH BITS  
= 9049 V4