

Woodchuck

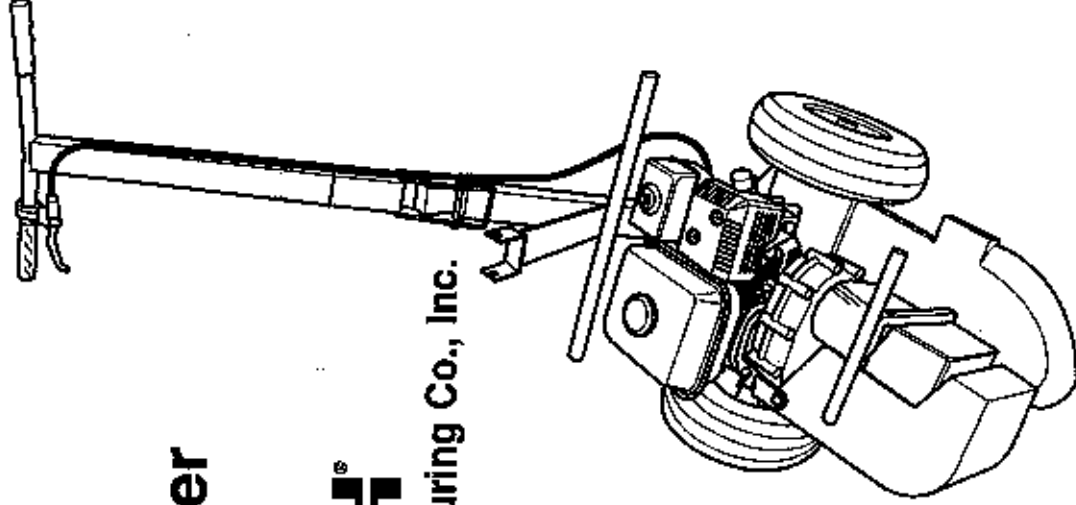
By E-Z Trench Mfg

Model SG65 Stump Grinder

E-Z TRENCH

E-Z Trench Manufacturing Co., Inc.

2315 S. Hwy. 701
Loris, S.C. 29569
(843) 756-6444
Fax (843) 756-6442
www.eztrench.com



Owner's Manual

A WORD TO E-Z TRENCH OWNERS . . .

THIS MANUAL HAS BEEN PREPARED TO ACQUAINT YOU WITH THE ASSEMBLY, OPERATION AND MAINTENANCE OF YOUR E-Z TRENCH TRENCHING MACHINE, AND TO PROVIDE SAFETY INFORMATION. WE URGE YOU TO READ IT CAREFULLY AND FOLLOW THE RECOMMENDATIONS CONTAINED TO HELP ASSURE THE MOST TROUBLE-FREE OPERATION.

WE WOULD LIKE TO TAKE THIS OPPORTUNITY TO THANK YOU FOR CHOOSING E-Z TRENCH, AND TO ASSURE YOU OF OUR CONTINUING INTEREST IN YOUR NEEDS.

INDEX

1. A WORD TO E-Z TRENCH OWNERS & SAFETY PRECAUTIONS.
2. OPERATING INSTRUCTIONS.
3. OPERATING INSTRUCTIONS (Continued)
4. TERMS AND CONDITIONS
5. TERMS AND CONDITIONS (Continued)
6. ILLUSTRATED PARTS
7. ILLUSTRATED PARTS DESCRIPTION

Warnings & Safety Precautions

1. Keep hands and feet clear of cutting blade.
2. Never manually rotate blade when engine switch is in "on" position.
3. Always wear eye protection.
4. Never remove linkage guard while machine is running.
5. Always inspect the area to be cut before beginning.

Operation

1. Fill crankcase of engine and the clutch with oil as instructed in the engine manual.
2. Inspect area you are cutting before proceeding.
3. Switch engine to "On" position, turn on gasoline and start engine.
4. Slowly squeeze throttle trigger all the way to full throttle while keeping the blade off of the ground.
5. You may now cut on top of stumps, (Fig. 1) and into the side of stumps, to remove them. (Fig. 2)

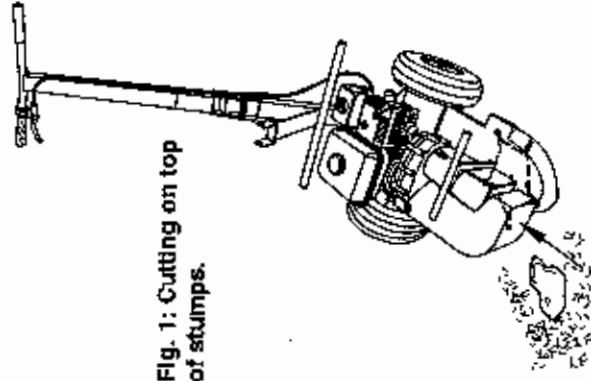


Fig. 1: Cutting on top of stumps.

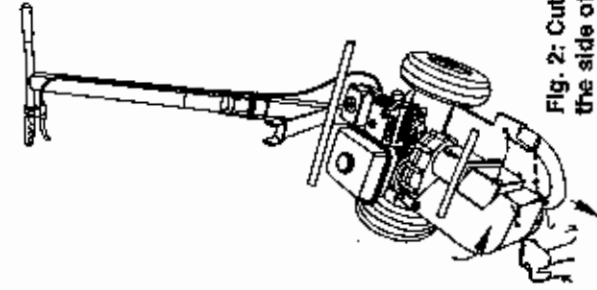


Fig. 2: Cutting into the side of stumps.

Trouble Shooting

Problem

- Blade will not turn.
1. Something is lodged in the blade.
 2. The linkage is disconnected.
 3. The engine is not full throttle.
 4. The clutch is damaged.

Throttle trigger does not work.

1. Check the throttle cable's linkage to the engine.

Blade shield does not return.

1. Check the torsion spring located at the pivot point inside the shield.

TERMS AND CONDITIONS OF SALE

USE:

E-Z TRENCHER IS DESIGNED TO TRENCH IN SOIL ONLY. ANY OTHER USE IS AT THE RISK OF THE OWNER.

PRICES:

Prices are subject to change without notice and will be invoiced at prices in effect on date of order.

CHANGES:

E-Z TRENCH MANUFACTURING, Inc. reserves the right to discontinue items, change specification, design, or prices at any time, without notice and without incurring any obligation whatsoever.

FREIGHT POLICY:

All orders are F.O.B., Loris, South Carolina, USA. Title to goods and risk of loss passed in Loris, South Carolina.

DAMAGED OR LOST SHIPMENTS:

All shipments must be carefully inspected. In case of damaged or loss, accept the shipment, but have carrier note damages or loss on delivery receipt. If it is concealed damage, call carrier for inspection. Make claim for damage with carrier.

LIMITED WARRANTY:

The E-Z Trencher is warranted against defects in workmanship or materials for a period of one year. Blades, bits, belts, clutches and bearings, which are normal wear items, are not warranted. This warranty covers replacement of parts only, no consequential damages are covered. In the event of a warranty claim contact E-Z Trench Manufacturing Company, Inc. This warranty does not include products which have been subject to improper use, or application, or misuse, neglect or accident; nor does it attend to products which have been repaired or altered by other than E-Z Trench Manufacturing Company, Inc. All warranty repairs are F.O.B., Loris, S.C, U.S.A. E-Z Trench Manufacturing Company, Inc. will not be responsible for any transportation charges.

THERE IS NO OTHER EXPRESS WARRANTY TO THE EXTENT PERMITTED BY LAW ALL IMPLIED WARRANTIES INCLUDED THOSE OF MERCHANTABILITY AND FITNESS FOR A PARTICULAR PURPOSE ARE EXCLUDED. LIABILITY FOR CONSEQUENTIAL DAMAGES UNDER ANY AND ALL WARRANTIES ARE EXCLUDED TO THE EXTENT THAT EXCLUSION IS PERMITTED BY LAW. Some states do not allow limitation on how long an implied warranty lasts, and some

states do not allow the exclusion or limitation or incidental or consequential damages, so the above limitation and exclusion may not apply to you. This warranty gives you specific legal rights and you may also have other rights which may vary from state to state.

E-Z Trench Manufacturing Company, Inc. does not warrant the engine but the purchaser must look to the engine manufacturer for the warranty of the engine.

NORMAL WEAR:

Warranty will not cover repair where normal use has exhausted the life of a part. Trenchers, like all mechanical devices, need periodic parts replacement and service to perform well. It should be remembered that the service life of any trencher is dependent on the care it receives and the conditions under which it has to operate. Trenchers operate in harsh conditions, which can cause what appears to be premature wear. Such wear, when caused by rocks or other abrasive material, is not covered by warranty.

E-Z TRENCH WARRANTY DOES NOT COVER THE FOLLOWING:

1. Bent or broken parts; Such damage is normally the result of abuse, such as striking a solid object with the cutting blade.
2. Broken parts, which results from excessive vibration caused by loose engine mounting, loose cutting blades, unbalanced blades, improperly attaching equipment to trencher, overspeeding or abuse in operation.
3. Misuse, neglect, improper operation, damage or abuse.
4. Alteration or removal of name plates or serial numbers.
5. Modification or change of this product outside the factory.

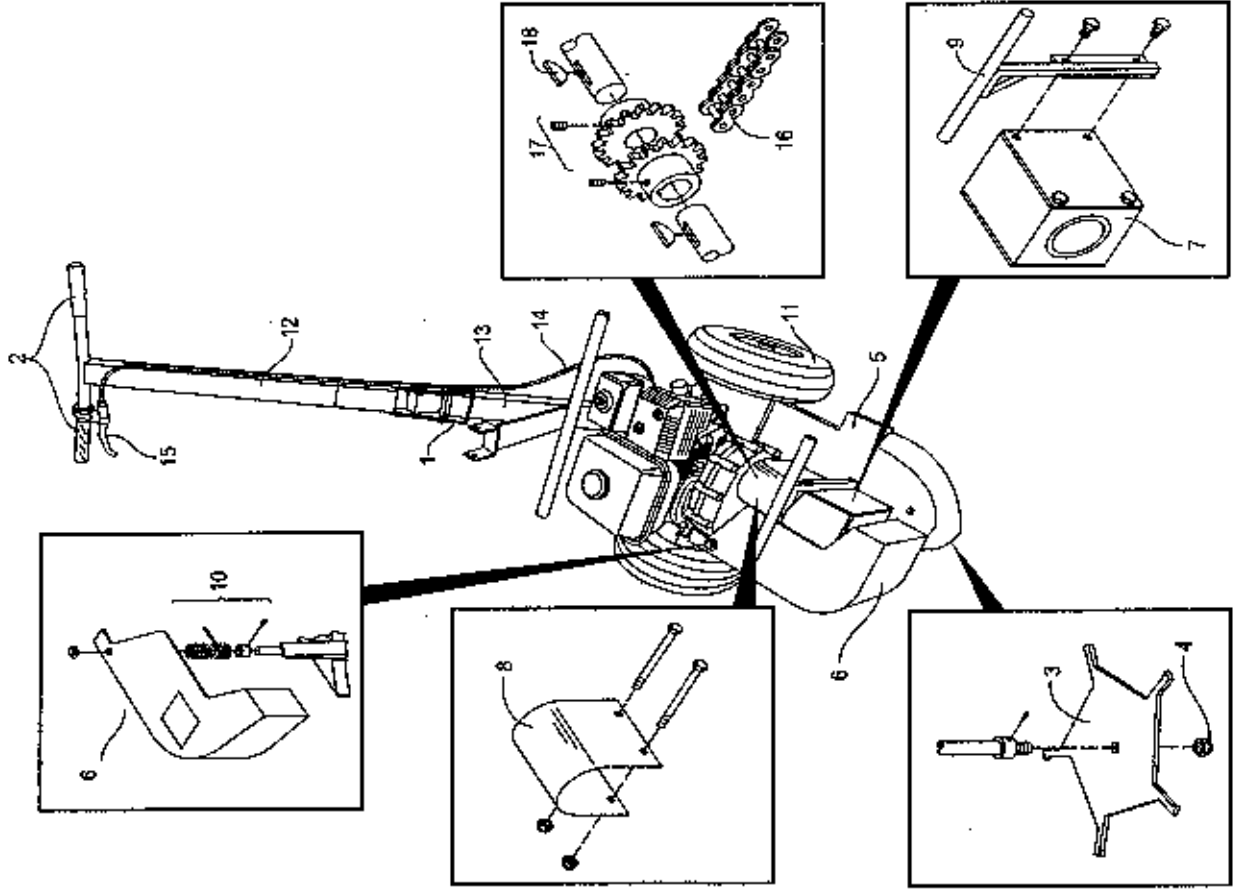
STANDARD TERMS:

1. C.O.D./F.O.B., Loris, SC, USA
2. Cash, money order, certified check, or wire transfer with order.
3. 30 day with approved credit.

All sales are final with no right to return, price protection or implied consignment. No person, including agent, representative, or employee of E-Z TRENCH MANUFACTURING, Inc. is authorized to assume for E-Z TRENCH MANUFACTURING, Inc. any obligation or liability concerning terms or conditions of sale other than that expressly stated herein.

EFFECTIVE MARCH 1, 1985

Illustrated PARTS LIST



Item Part#	Description
1	BE312 Handle Pin
2	EZ16 Grips
3	361 Blade
4	EZ380 Blade Nut
5	WSG1 Woodchuck Frame
6	WSG2 Blade Shield
7	WSG3 Gearbox
8	WSG4 Linkage Shield
9	WSG5 Front Lift Handle
10	WSG6 Shield Torsion
11	WSG7 Spring Assembly
12	WSG8 Tire Assembly
13	WSG9 Handle - Top Half
14	WSG10 Handle - Bottom Half
15	WSG11 Throttle Cable
16	WSG12 Throttle Trigger
17	WSG13 Linkage Chain
18	WSG14 Chain Sprocket Coupler
	8MM Key